

# NEW! MAXIMATIC® FILTERS



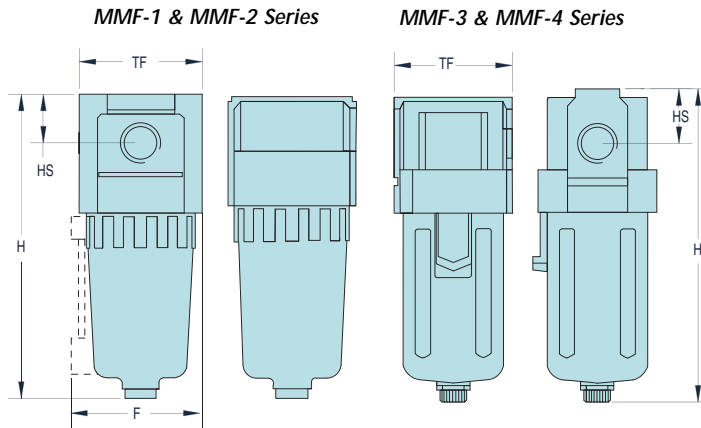
Maximatic® filters remove moisture and contaminants, and provide air filtration through a 25 micron filter. Replacement 25 micron and 5 micron filters are available.

- Semi-automatic drain standard on MMFRLS-3/4/5 series. Manual drain standard on all others. Optional Automatic Drain available—add “-D” to Part Number.

**Bowl:** Polycarbonate standard. Cast steel shield provided on models indicated. Metal bowl with sight gauge also available, add “-M” to the end of the Part Number.

**Filtration:** 25 micron filter standard. Add “-F5” to Part Number for optional 5 micron filter.

| Filter    | F           | H            | HS          | TF          |
|-----------|-------------|--------------|-------------|-------------|
| MMF-1     | --          | 2.60 (66.0)  | 0.28 (7.1)  | 0.98 (24.9) |
| MMF-2     | 1.81 (50.0) | 3.84 (97.5)  | 0.43 (10.9) | 1.57 (39.9) |
| MMF-3     | 2.26 (57.4) | 5.22 (132.6) | 0.55 (14.0) | 2.09 (53.1) |
| MMF-4W/4Z | 3.00 (76.2) | 6.63 (168.4) | 0.71 (18.0) | 2.76 (70.1) |
| MMF-4A-M  | 3.00 (76.2) | 6.79 (172.5) | 0.79 (19.8) | 2.76 (70.1) |
| MMF-5B-M  | 3.00 (76.2) | 9.74 (247.4) | 0.94 (23.9) | 3.54 (89.9) |



**MAXIMUM**  
Value. →  
→ Performance.

| Part No.  | Port     | Flow Rate | Bowl Shield |
|-----------|----------|-----------|-------------|
| MMF-1N    | #10-32   | 4 scfm    | no          |
| MMF-2P    | 1/8" NPT | 26 scfm   | no          |
| MMF-2Q    | 1/4" NPT | 26 scfm   | no          |
| MMF-3Q    | 1/4" NPT | 70 scfm   | 2,000 l/min |
| MMF-3W    | 3/8" NPT | 70 scfm   | 2,000 l/min |
| MMF-4W    | 3/8" NPT | 140 scfm  | 4,000 l/min |
| MMF-4Z    | 1/2" NPT | 140 scfm  | 4,000 l/min |
| MMF-4A-M* | 3/4" NPT | 210 scfm  | 6,000 l/min |
| MMF-5B-M* | 1" NPT   | 245 scfm  | 7,000 l/min |

\* Metal bowl standard